

## Junction box - INSX131

**Material:** Aluminum

**Dimensions:** 137mm x 42mm

**Color:** White

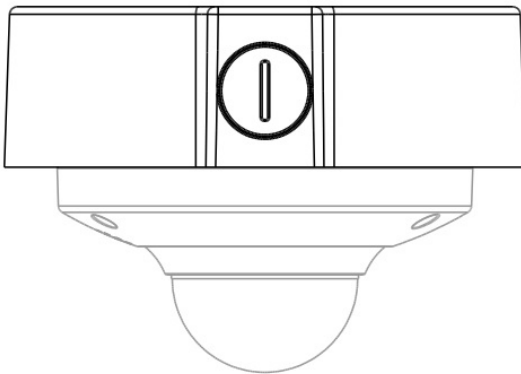
**Type of Installation:** Wall

**Net Weight:** 0.38kg

**Load Bearing Capacity:** 3kg



### Applications



### Dimensions (mm)

